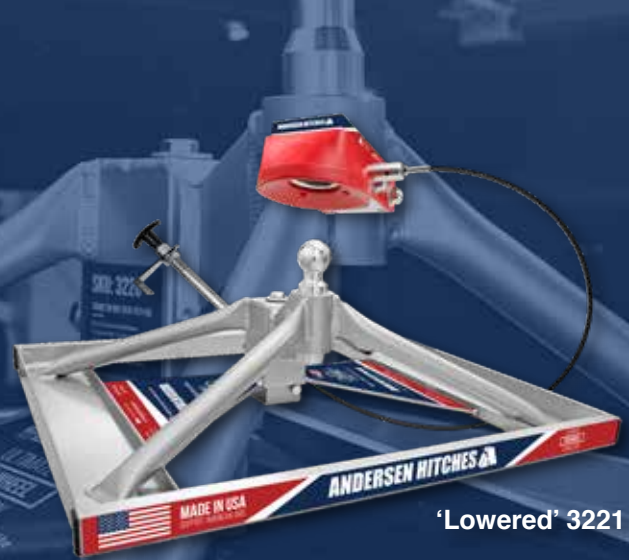


ULTIMATE 5TH WHEEL CONNECTION - GOOSENECK MOUNT INSTALLATION MANUAL

FOR PART #3217, #3220 / #3220-TBX, AND #3221 / #3221-TBX · 24,000 LBS GTWR - 4,500 LBS TONGUE



Standard 3220



'Lowered' 3221

IMPORTANT! DEALER OR INSTALLER: *Please make sure your customer receives this manual for safety tips, warranty, and future removal or installation information*

Table of Contents

Important Safety Information	Page 2
Contact Andersen Hitches Customer Service	Page 2
Parts Illustration	Page 3
Dimensions (Ultimate Connection Base & Coupler Block).....	Page 4
Section 1: Turning Clearance	Page 6
Section 2: Installing the Base Unit	Page 6
Section 3: Installing the Kingpin Coupler Block	Page 7
Section 4: Attaching the Remote Latch Cable Bracket	Page 9
Section 5: Connecting Your Trailer to the Base Unit	Page 10
Section 6: Removing the Base Unit	Page 11
Popular Add-ons for your Ultimate Connection	Page 12
Warranty Information	Page 13

Want to see a video of the install?



Use your Smart Phone to scan the QR Code above and to go to our Installation Videos on the web.

Thank you for choosing the Ultimate 5th Wheel Connection!

Extremely lightweight and strong, the Ultimate 5th Wheel Connection will give you the ultimate 5th wheel experience from installation to your destination. This indispensable product adapts a kingpin style 5th wheel trailer pin box so it can attach to a raised 2-5/16" ball hitch – giving you a smooth, solid and safe driving experience. The Ultimate Connection can be installed in a short amount of time with only a few tools.

IMPORTANT SAFETY INFORMATION

Read the entire manual before towing a 5th wheel trailer using the Ultimate 5th Wheel Connection

Failure to follow all safety warnings could result in severe injury or even death. Read and understand the manufacturer's instructions for your trailer, tow vehicle and hitching equipment. Follow all safety warnings, setup instructions and recommended maintenance before installing your hitch.

Check for parts before installation

When you unpack your Ultimate 5th Wheel Connection, compare it with the Parts List on page 3. If any parts appear to be missing or damaged, DO NOT RETURN IT TO YOUR DEALER. Instead, contact us directly using the contact information below. If the packaging appears to be damaged, please include pictures of the packaging in your email. If you ever lose or damage any part of your Ultimate 5th Wheel Connection, visit AndersenHitches.com or contact customerservice@anderseninc.com for replacements.

Make sure you have a 2-5/16" gooseneck ball already installed (not included)

The Ultimate 5th Wheel Connection hooks to your current 2-5/16" gooseneck ball and under bed system (we do not offer in-bed gooseneck balls or under bed systems). Please refer to the manufacturer's instructions regarding installation and use of your gooseneck system.

IMPORTANT Measure for turning pin box clearance

Make sure you have enough clearance for your pin box so it does not hit your truck when turning (see instructions in Section 1 and Section 3). As with any 5th wheel hitch, there is a point beyond which every trailer will contact the tow vehicle. Each trailer is unique, so become familiar with your specific vehicle/trailer limitations. When turning or reversing sharply in your tow vehicle, be very aware of the front corners and nose of your trailer so they do not hit the windows or cab of your tow vehicle.

Before each trip..

Before each trip—and regularly during a trip—check all hardware, bolts and nuts for wear and fatigue, and make sure that they are all properly tightened and that all pins and clips are secured in place. Make sure the kingpin coupler is coupled properly to the kingpin and to the Ultimate 5th Wheel Connection ball and that it is secured in place using the remote latch.

ANDERSEN HITCHES CUSTOMER SERVICE

If you have a question, concern, or problem regarding your Ultimate 5th Wheel Connection, please contact our Customer Service team by scanning the QR code below or using the contact information provided.

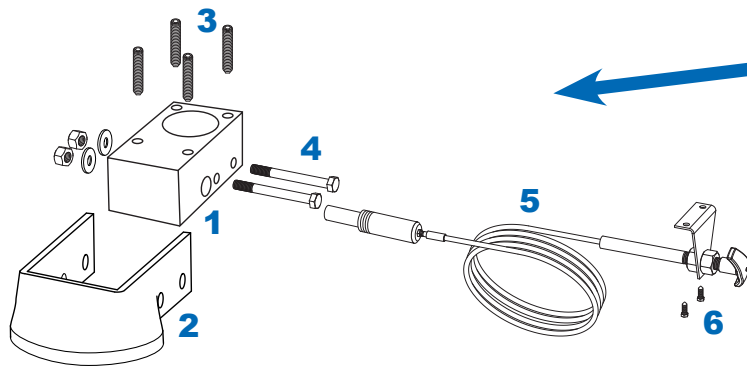
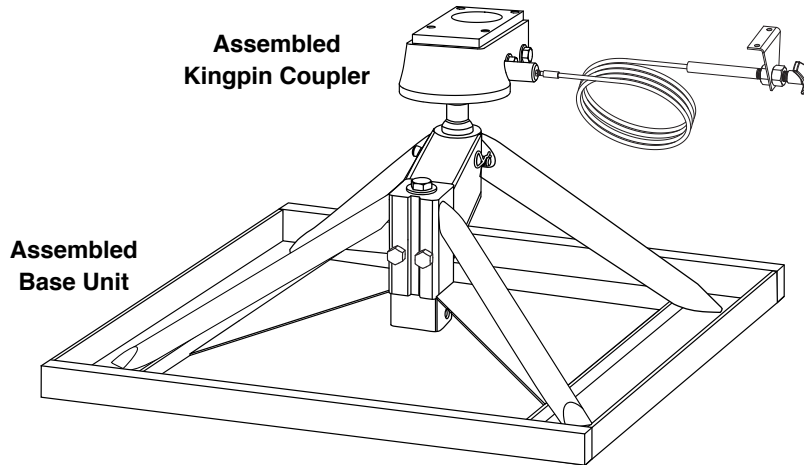


www.AndersenHitches.com
Customer Service: 208-523-6406
customerservice@anderseninc.com

PARTS ILLUSTRATION – ULTIMATE 5th WHEEL CONNECTION, GOOSENECK MOUNT

The 3217, 3220, 3220TBX, 3221, & 3221TBX assemblies include all items listed below.

- The 3217 assembly is used to accommodate for pin box length, and higher bed rail & tailgate clearance.
- The 3220 assembly is used for most standard truck installations.
- The 3221 assembly is a shorter version of the 3220 and is intended ONLY for flat-bed truck installations where the 2-5/16" gooseneck ball is recessed below the bed.
- The 3220TBX and 3221TBX assemblies are designed for use in truck beds with a large fuel tank or toolbox.

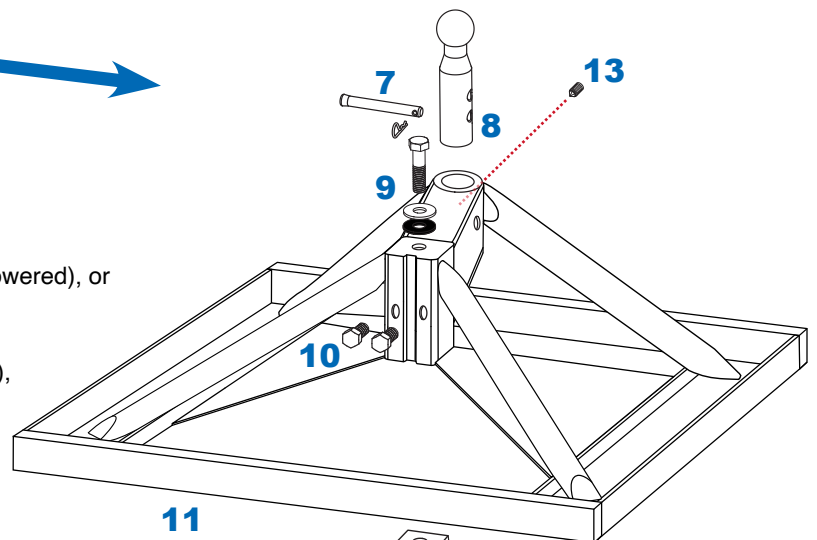


Kingpin Coupler Assembly #3246

1. Kingpin Coupler Block (greaseless) #3233
2. Ball Funnel for kingpin coupler block #3244
3. Kingpin Coupler Set Screws (4 pcs, 40 ft-lb torque) #3232
4. 5/8" x 5" Kingpin Coupler Bolts with nuts and washers (2 sets) #3232
5. Remote Latch Cable #3204
6. 5/16" Self-Tapping Screws for Remote Latch Cable Bracket

Base Assembly #3240 / #3240TBX (standard), # 3224 / #3224TBX (lowered), # 3254 (raised)

7. Pin with Clip (2 sets) #3430
8. Ultimate Ball (2-5/16" ball) #3201
9. 5/8" x 3" Top Bolt with metal and plastic washers for square Coupler Tube (60 ft-lb torque) #3228
10. Coupler Tube Set Bolts (2 pcs, 60 ft-lb torque) #3228
11. Ultimate Base #3241 / #3241TBX, #3238 / #3238TBX (lowered), or #3242 (raised)
12. One Square Coupler Tube 6" (#3223), 7-3/4" (#3237), 9-1/8" (#3227), 10-1/2" (#3239), 11-7/8" (#3222), or 13-1/4" (#3234)
13. Ultimate Ball Set Screw for securing the ball



Tools Needed for Installation

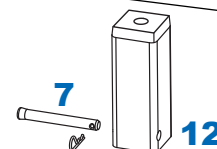
Measuring Tape

5/16" socket for self-tapping screws

1/4" Allen wrench - at least 2-inches long

Torque Wrench capable of at least 60 ft-lbs of torque

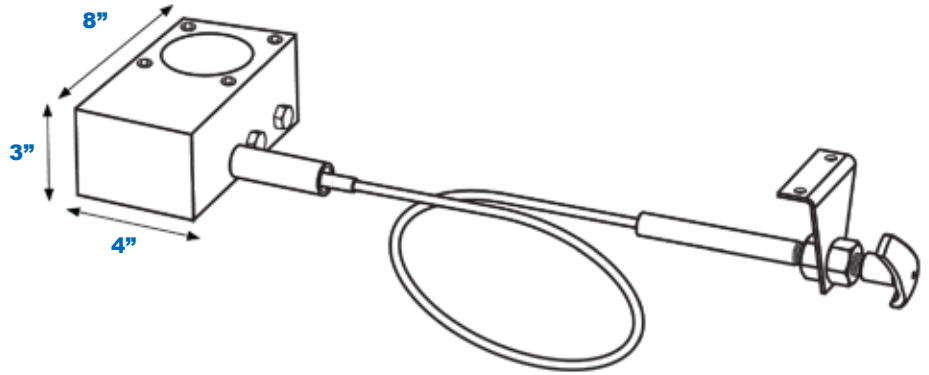
Two 15/16" Box End / Socket Wrenches or two medium adjustable wrenches



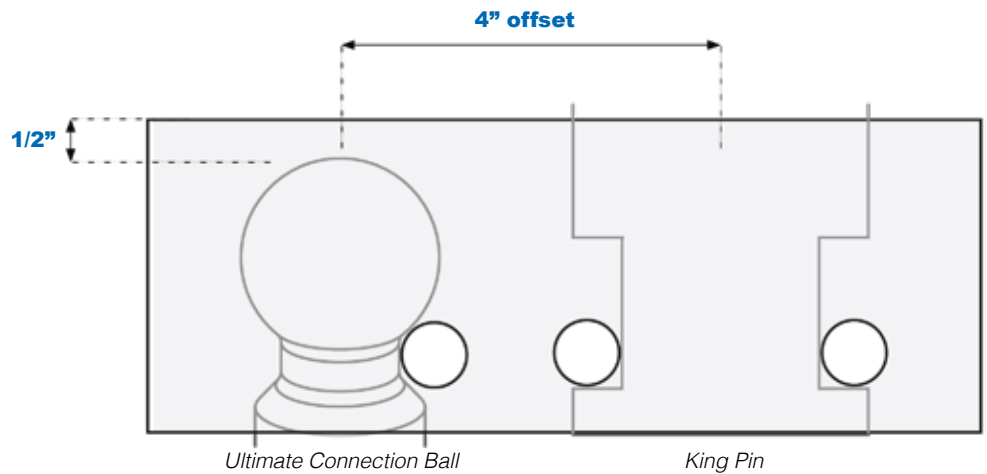
DIMENSIONS – Kingpin Coupler Block & Ultimate Connection Bases

These measurements can be helpful before and during the installation process, especially for turning clearance (see page 6) and side rail clearance (see page 7).

King Pin Coupler Block (#3246) Block Dimensions



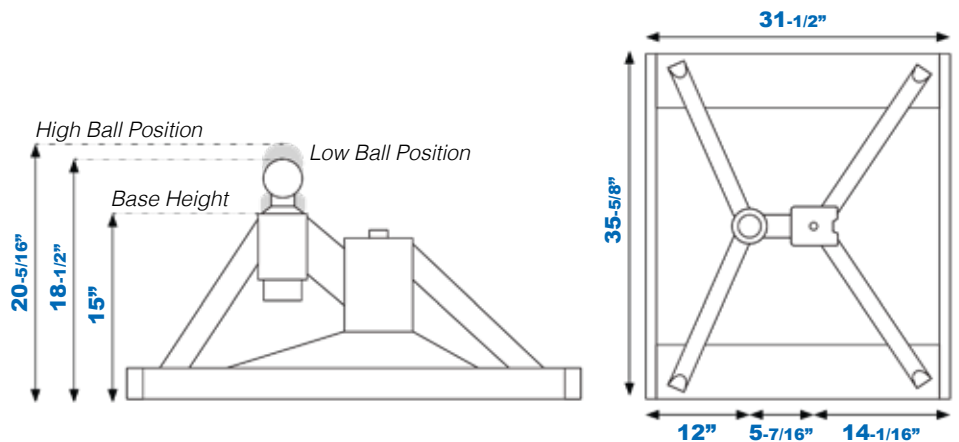
King Pin Coupler Block Side View



Raised Ultimate Connection (#3217)

Ball Height & Base Dimensions

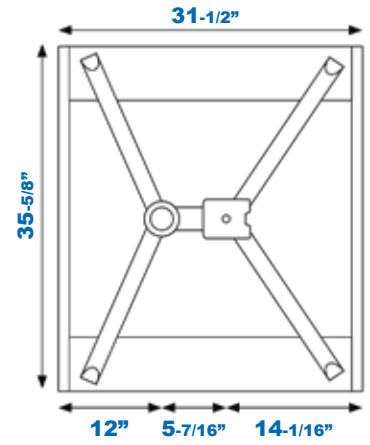
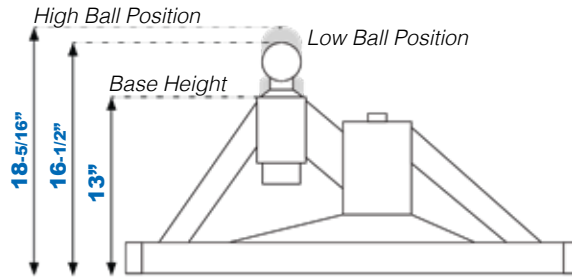
- Base Height: 15"
- Low Ball Position: 18-1/2"
- High Ball Position: 20-5/16"



**Standard Ultimate Connection
(#3220)**

Ball Height & Base Dimensions

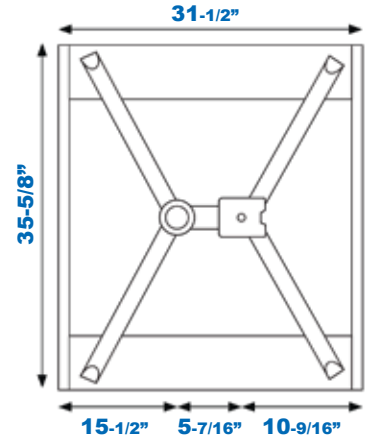
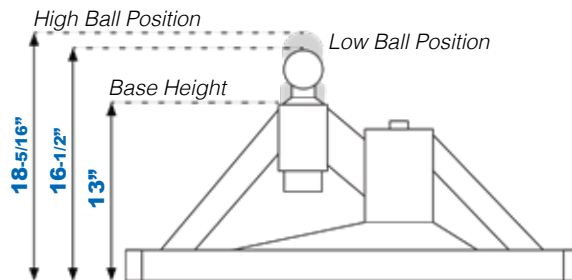
- Base Height: 13"
- Low Ball Position: 16-1/2"
- High Ball Position: 18-5/16"



**Standard Ultimate Connection
Tool Box Version (#3220TBX)**

Ball Height & Base Dimensions

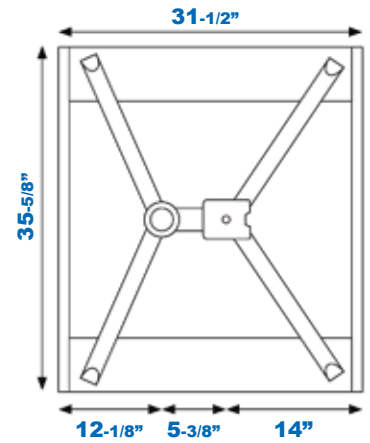
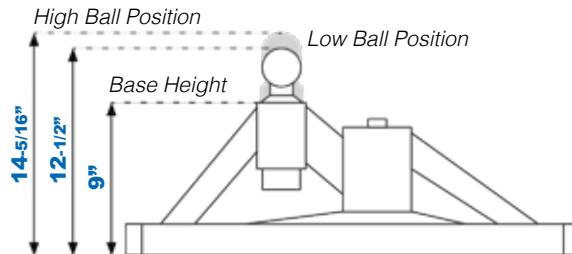
- Base Height: 13"
- Low Ball Position: 16-1/2"
- High Ball Position: 18-5/16"



**Lowered Ultimate Connection
(#3221)**

Ball Height & Base Dimensions

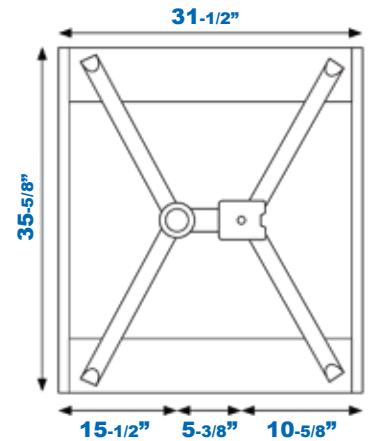
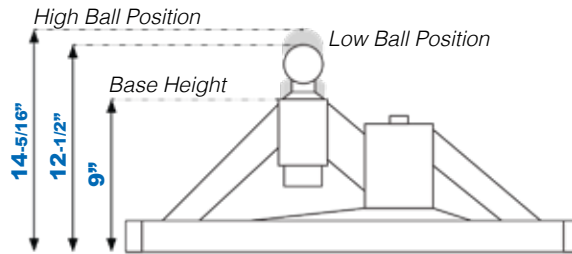
- Base Height: 9"
- Low Ball Position: 12-1/2"
- High Ball Position: 14-5/16"



**Lowered Ultimate Connection
Tool Box Version (#3221TBX)**

Ball Height & Base Dimensions

- Base Height: 9"
- Low Ball Position: 12-1/2"
- High Ball Position: 14-5/16"

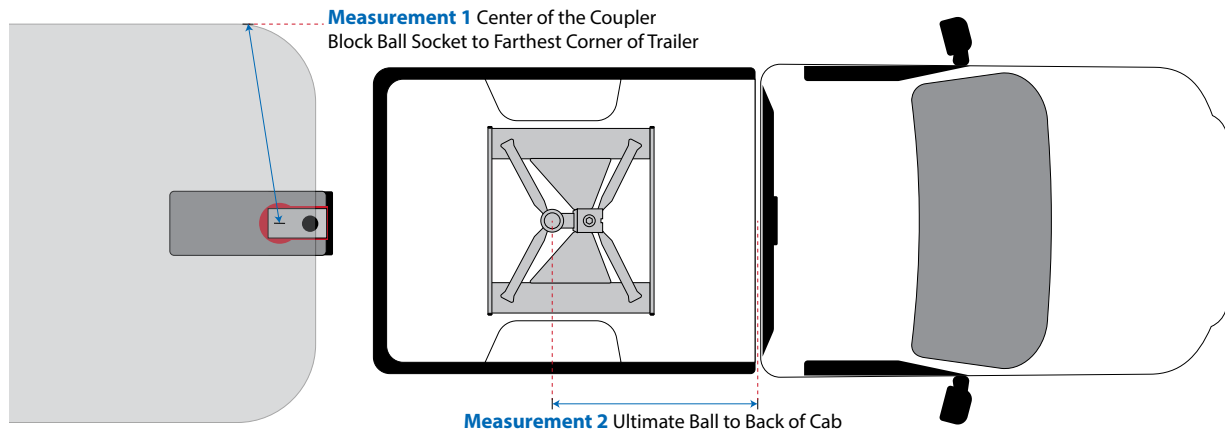


SECTION 1: TURNING CLEARANCE

IMPORTANT As with any 5th wheel hitch, there is a point beyond which every trailer *will* contact the tow vehicle. The Ultimate Connection can articulate up to 15 degrees. Each trailer is unique, so become familiar with your specific vehicle/trailer limitations.

1-1. To figure your approximate turning clearance do the following: Using a tape measure, determine the distance of **Measurement 1** on your Trailer (see diagram below). Next, determine **Measurement 2** on the tow vehicle (see same diagram).

NOTE: If the coupler block is not installed, you can get an approximate idea for **Measurement 1** by placing the tape measure on the center of the kingpin and then measuring the distance to the furthest corner of the trailer front end. If the base is not installed, **Measurement 2** can be determined by measuring from the cab to the center of the 2-5/16" gooseneck ball in the bed of the truck and then adding 5 inches to that number. For Ultimate Connection dimensions see pages 4-5.



1-2. If Measurement 1 is SHORTER than Measurement 2 then you might be close to having perfect clearance. However, “perfect clearance” is not really necessary for 5th wheel trailer towing, most truck/trailer combinations work great with 60°-70° turning clearance. If you want more details about turning clearance, watch the short video clip on our website at the link below (or scan the QR code).

Go to help.andersenhitches.com/install

...then click on the picture of the Ultimate 5th Wheel Connection to see a list of available videos



Use your Smart Phone to scan this QR Code and go to our Installation Videos page on the web.

SECTION 2: INSTALLING THE BASE UNIT

NOTE: Before installation make sure that the 2-5/16" gooseneck ball in the bed of the truck is in the up position and locked into place.



IMPORTANT Ensure that the coupler tube set bolts are loose enough to allow free movement of the coupler tube.



2-1. Place the Ultimate Connection base in the bed of your truck with the Ultimate Ball closest to the tailgate. You can use your bed grooves to square up the hitch before tightening it down.



2-2 A

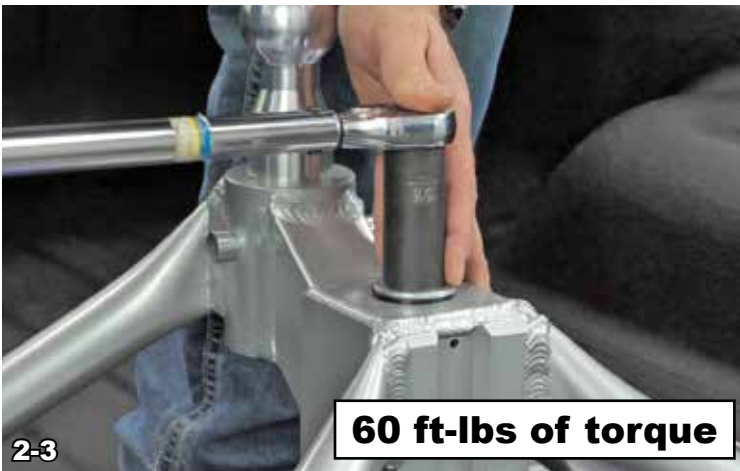


2-2 B

2-2. Place the pin through the lower coupler sleeve under the 2-5/16" gooseneck ball and secure it in place with the hairpin clip. Push the entire base forward towards the cab of the truck until it will not go any further.

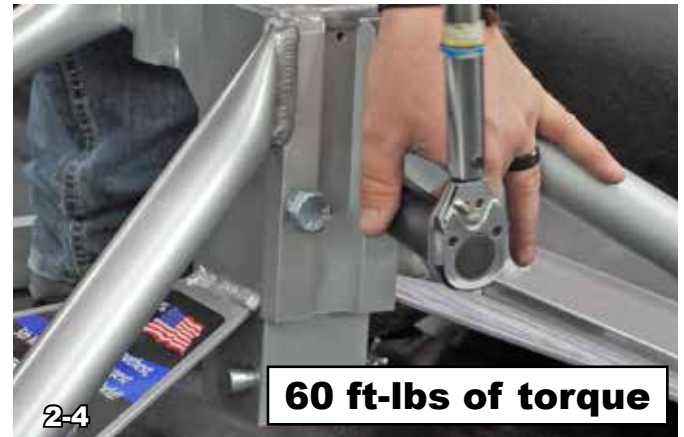
2-3. Using a 15/16" socket wrench, tighten the top bolt of the square coupler to **60 ft-lbs of torque**. This will ensure that the coupler is pulling up on the 2-5/16" gooseneck ball and holding the Ultimate Connection firmly to the bed of the truck.

2-4. Using a 15/16" socket wrench, tighten the two coupler tube set bolts to approximately **60 ft-lbs of torque** to take out any play in the tube.



2-3

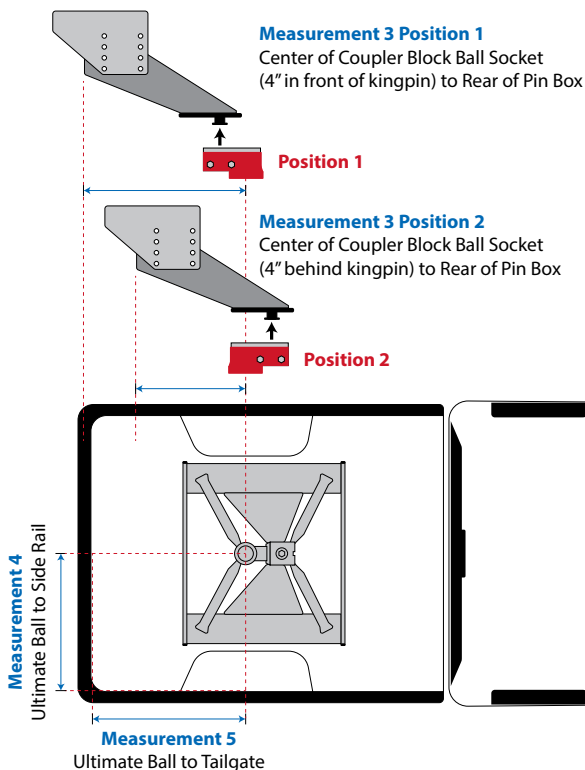
60 ft-lbs of torque



2-4

60 ft-lbs of torque

SECTION 3: INSTALLING THE KINGPIN COUPLER BLOCK



3-1. For adequate tailgate and side rail clearance **Measurement 3** (center of the installed Coupler Block's ball socket to the rear of the trailer's pin box) **should be shorter than** both **Measurement 4** and **Measurement 5** (center of the Ultimate Ball to the inside of the side rails and tailgate). For Ultimate Connection dimensions see pages 4-5.

If this is not the case with the coupler block in **Position 1**, you may need to install the Coupler Block in **Position 2** with the greaseless opening behind the trailer kingpin. Also, keep in mind that there can be 15° up-and-down movement of the pin box, so be sure to allow for that above the tailgate and side rails.

⚠ IMPORTANT
When properly installed, the pin box should be able to rotate inside the bed of the truck. For longer pin boxes, **Position 2** installation provides better side rail clearance than **Position 1**.



3-2

3-2. Place the kingpin coupler block on the trailer kingpin with the greaseless ball socket face-down. Longer pin boxes may require installation of the coupler block with the greaseless opening towards the back of the pin box. **Do not attach the remote latch cable bracket yet.**

❖ IMPORTANT The coupler block CANNOT be installed with a lube plate, or any other slick or lubricated material attached to the kingpin. This will prevent the set screws from securing the coupler block in a stationary position and result in unsafe driving conditions.



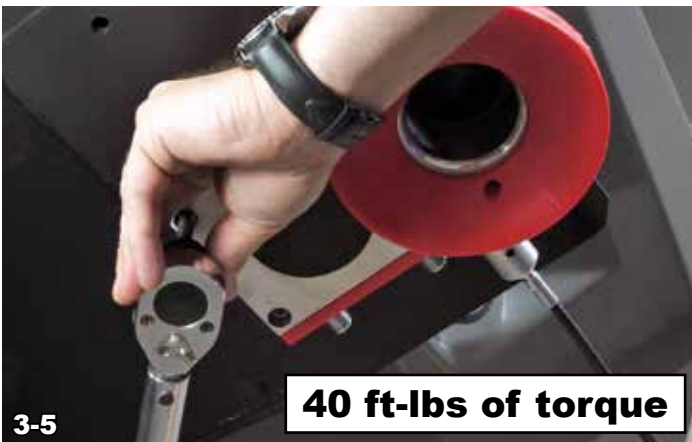
3-3

NOT fully tightened

3-3. Insert the two 5" long kingpin bolts into their holes to hold the coupler block on the kingpin and place the nuts on the two bolts as illustrated at left, **DO NOT tighten the nuts until step 3-6.** Make sure the bolts are all the way flush to the block.

3-4. Make sure the coupler block is centered to the pin box.

3-5. Using a 1/4" allen wrench or allen wrench bit, tighten the 4 set screws to **40 ft-lbs of torque.**



3-5

40 ft-lbs of torque

NOTE: Because kingpins vary in height, some blocks will have space between the coupler block and the kingpin plate (as shown at right) while others will be flush. This is normal and does not affect performance at all.

NOTE: You *can* tow without the red funnel without affecting the performance of the hitch.

3-6. Use wrenches to tighten the nuts on both kingpin bolts until they are **snug**. **Do not over tighten the bolts or it could result in cracking the red funnel.**



3-6

Tighten until snug
(over tightening could crack funnel)



SECTION 4: ATTACHING THE REMOTE LATCH CABLE BRACKET

NOTE: We suggest installing the remote latch cable bracket at the back of the pin box brackets, as shown right. If this location does not work on your trailer, make sure that the latch cable bracket is installed securely and that the cable and bracket will not come in contact with the truck side rails.

4-1. Use a 5/16" socket to install the two self-tapping screws provided.

IMPORTANT The remote latch cable bracket should be installed so that the cable does not have any sharp turns or kinks in it. This allows the cable to operate correctly and prevents it from binding. For best results, we suggest installing the latch cable bracket on the opposite side of the pin box from where the cable enters the coupler block. See our installation video online for further information.

4-2. Once installed, test the cable to ensure that the handle moves freely in and out. This will make sure that the pin attached to the kingpin coupler block is able to engage and disengage correctly.

Using the remote latch cable:

To engage, simply turn the handle to unlock it, push the handle until it's all the way in and then turn it fully in either direction to lock in place.

To disengage, turn the handle to unlock it, pull the handle until it's all the way out and then turn it fully in either direction to lock in place.

NOTE: Due to tight tolerances, if the trailer and tow vehicle are angled too much in reference to each other, the kingpin coupler block may not fully seat on the ball. This applies to uncoupling the kingpin coupler as well. If this occurs, the kingpin coupler block may become 'stuck' on the ball. To alleviate this problem, ensure that the truck and trailer are somewhat level in reference to each other. Raise the trailer up to clear the ball, disconnect your wiring harnesses and any safety cables and chains, then drive your truck out from under the trailer.



SECTION 5: CONNECTING YOUR TRAILER TO THE BASE UNIT

❖ **IMPORTANT** Before connecting the Ultimate Connection base to the kingpin coupler, make sure that the remote latch cable is pulled out to the open position. Failure to do so can result in the trailer not being secured to the Ultimate Connection base. It may also cause damage to the coupler assembly and/or Ultimate Ball.



Every time you connect a trailer to a tow vehicle using the Ultimate 5th Wheel Connection, you should make sure that all bolts are tightened to the proper torque specs. Additionally, **before each trip—and regularly during a trip—check all hardware, bolts and nuts for wear and fatigue.**

5-1. With the latch in the open position, back the tow vehicle underneath the trailer until the Kingpin Coupler is directly above the Ultimate Ball.



NOTE: The red ball funnel that is part of your Kingpin Coupler allows you to easily hook up the Ultimate 5th Wheel Connection, even when up to 3" off center.

5-2. Lower the trailer until its full weight is resting on the Ultimate Ball, making sure that the ball is seated completely inside the coupler block's ball socket.

The height of the Ultimate Ball can be adjusted to allow for trailer leveling or to help with side rail clearance for longer pin boxes. Be sure to loosen the Ultimate Ball Set Screw and tighten it after adjusting the ball height.



5-3. Secure the Coupler Block by pushing in the remote latch handle and then locking it in place by turning it a full 90 degrees in either direction.

❖ **IMPORTANT** DO NOT FORCE THE LATCH CABLE HANDLE INWARD. If the handle will not push in fully, check to make sure that the receiver is fully seated over the Ultimate Ball.



NOTE: THERE IS **NEVER** A NEED TO GREASE BALL OR COUPLER

SECTION 6: REMOVING THE BASE UNIT

Before removing the base unit of your Ultimate 5th Wheel Connection, you will need to open the remote latch cable and disengage the kingpin coupler from the base unit.

Once your 5th wheel trailer is out of the way, you can remove the base and free up your truck bed.

6-1. Using a 15/16" socket wrench, loosen the two coupler tube set bolts. **Make sure that the coupler tube set bolts are loose enough to allow free movement of the coupler tube.**



6-2. Using a 15/16" socket wrench, loosen the top bolt of the square coupler. The Ultimate Base will now become loose in the bed of the truck, but it is **still connected to the vehicle's 2-5/16" gooseneck ball.**



6-3. Remove the hairpin clip from the pin under the 2-5/16" gooseneck ball and then remove the pin from the coupler block, completely freeing the base from the tow vehicle's 2-5/16" gooseneck ball.

6-4. Carefully remove the Ultimate Connection base from the 2-5/16" gooseneck ball. You can now take the base out of the truck bed.



Tip: You can hang your Ultimate Connection on wall hooks when not in use.



POPULAR ADD-ONS for your ULTIMATE 5th WHEEL CONNECTION



Complete Ultimate Base Assembly
Part #3240 / #3240TBX,
#3224 / #3224TBX (lowered), or #3254 (raised)

Do you use more than one vehicle for towing? No problem! Add an Ultimate Base Assembly to your other truck(s) to make hookups fast and easy!



Rail Mount Ultimate Base
Part #3202

If one of your tow vehicles has rails instead of a gooseneck ball, we've got you covered! The Rail Mount Ultimate Base Assembly works with your current Kingpin Coupler Block.



Kingpin Coupler with Funnel
Part #3246

If you have more than one 5th Wheel, that's no problem either! Just add an extra Kingpin Coupler to your other trailer(s) for fast and easy hook-ups!



Andersen Bed Shaft
Part #3219

The Andersen Bed Shaft is specially designed to create a strong, fast connection between your Ultimate Connection gooseneck mount base and your factory OEM ball system.



Anti-Slip Kit
Part #3252

The Anti-Slip Kit is the perfect partner for the Ultimate 5th Wheel Connection. It is a large rubber mat that helps prevent any potential scratching and slipping of the Ultimate Connection on the bed of the truck.



Rota-Flex "Lockout" Kit
Part #3247

If you are using an Ultimate 5th Wheel Connection with a Trailair Rota-Flex Pin Box, we REQUIRE you install this lockout kit prior to installing the coupler block.



Trailer Jack Blocks
Part #3608

The Trailer Jack Block stabilizes your 5th wheel or RV, and reduces the stress on your jacks. The built-in magnets instantly attach it to the jack, so there is no need to double check and adjust each block.

Ultimate 5th Wheel Connection Safety Chains



Standard Safety Chain Kit
Part #3230

Do you need safety chains to use with your Ultimate Connection? This kit includes everything you need for tow vehicles that have built-in safety chain hookups.



Safety Chain Kit with Plate
Part #3249

Don't have safety chain hookups in your truck bed? Don't worry! Our safety chain plate installs over your 2-5/16" gooseneck ball and provides a convenient hook up point.

Warranty Registration and Validation

Andersen Ultimate Connection 5th Wheel Hitch

To register your Ultimate 5th Wheel Connection, simply visit
help.andersenhitches.com/register and complete your registration online.



Andersen Hitches Limited Warranty

PLEASE RETAIN YOUR ORIGINAL BILL OF SALE AS YOU WILL NEED TO PRESENT IT SHOULD YOU REQUIRE SERVICE UNDER THIS WARRANTY.

LIMITED LIFETIME WARRANTY: Andersen Manufacturing, Inc. (hereinafter referred to as "ANDERSEN") warrants specific Andersen brand products ("Products") purchased directly from Andersen or an Authorized Andersen Dealer, in accordance with the terms and conditions detailed herein for the periods indicated below.

⊗ WARNING: IF YOU PURCHASE AN ANDERSEN PRODUCT FROM AN UNAUTHORIZED DEALER, YOUR ANDERSEN WARRANTY WILL NOT BE VALID.

SCOPE OF WARRANTY: Commencing with the date of retail purchase and continuing for the periods specified in the Warranty Period table below, this Limited Warranty is extended to the original purchaser ("BUYER") only and warrants the Product against latent defects in materials and workmanship under normal use and service (rust, corrosion and ordinary wear and tear excepted) and is subject to the Exclusions and Limitations set forth below. A dated purchase receipt or bill of sale, or other proof of the purchase date, is required for Warranty service. If the Product is determined to be latently defective, ANDERSEN will, at its own discretion, replace or repair the Product and/or associated parts.

This Limited Warranty applies only to authentic Products manufactured and/or distributed by ANDERSEN. It does not apply to non-ANDERSEN supplied goods, even if they are packaged or sold with ANDERSEN branded Products or falsely identified as ANDERSEN Products. While some non-ANDERSEN supplied goods sold with an ANDERSEN Product may be covered by their own warranties, ANDERSEN, to the extent permitted by applicable law, provides such third-party products "AS IS".

EXCLUSIONS and LIMITATIONS: IF YOU PURCHASE AN ANDERSEN PRODUCT FROM AN UNAUTHORIZED DEALER, YOUR ANDERSEN WARRANTY WILL NOT BE VALID, please use our List of Authorized Dealers or our Authorized Dealer Locator.

BUYER is responsible for maintenance checks to the Product on a regular basis. It is also the responsibility of the BUYER to have the trailer braking system checked and maintained on a regular basis. Damages resulting from failure to perform these maintenance checks shall not be covered by this Warranty.

As the condition of trailers and vehicles used with the ANDERSEN Product is beyond ANDERSEN's control, ANDERSEN cannot and does not warrant or assume liability for damages incurred to trailers or vehicles during use of the Product.

ANDERSEN does not warrant against discontinuation of Product, defects in items or components not manufactured by ANDERSEN, or against damages resulting from use of such non-ANDERSEN made products or components. ANDERSEN passes on to BUYER the warranty it received (if any) from the maker of any non-ANDERSEN made products or components.

This Limited Warranty does not apply to any Product upon which repairs have been affected or attempted by persons other than those in possession of written authorization from ANDERSEN.

Additionally, this Limited Warranty does not apply with respect to any of the following:

1. Defects or damage resulting from improper installation, unauthorized alteration, unreasonable use, or improper maintenance including, but not limited to loading the Product beyond the Product's rated load capacity.
2. Defects or damage caused by an accident, sudden impact arising from a collision, or other abnormal occurrences.
3. Defects or damage caused by fire, smoke, flood, water damage, lightning, or other acts of nature/acts of God.
4. Defects or damage caused by abuse, misuse, negligence, accident, unauthorized product modification or service, or failure to observe the instructions contained in the manual furnished at the time of original purchase.
5. Damage caused during shipment or handling.
6. Products purchased from anyone other than ANDERSEN or an Authorized Andersen Dealer. If you are uncertain as to whether a dealer is authorized, please visit our List of Authorized Dealers or contact our Customer Service Department.
7. Products that have been altered or repaired by anyone other than ANDERSEN or an Andersen Authorized Dealer in a manner that has affected the product's performance, stability or reliability.
8. Any accessories or products attached to or used with ANDERSEN Products
9. Packing materials and cosmetic items like stickers.
10. Parts which have prescribed useful lives dependent upon the degree of their use, such as rubber pads, duffel bags, chemical products, etc.
11. Maintenance, cleaning or periodic check-ups.
12. Loss of keys to ANDERSEN's Stainless Steel Locking Pins.

THIS WARRANTY IS EXCLUSIVE. To the extent allowed by law, ANDERSEN shall not be liable for any incidental, consequential, or any other damages including, without limitation, breach of any implied warranty, merchantability, or fitness of the Product for a particular purpose. The sole and exclusive obligation of ANDERSEN shall be to repair or replace the defective Product in the manner stated above. ANDERSEN shall not have any other obligation with respect to the Product or any part thereof, whether based on contract, tort, strict liability, or otherwise. It is understood that the seller's liability, whether in contract, in tort, under any warranty, in negligence or otherwise, shall not exceed the return of the wholesale amount of the purchase price paid by the BUYER. Under no circumstances, whether based on this Limited Warranty or otherwise, shall ANDERSEN be liable for incidental, special, or consequential damages. The price stated for the Product is considered in limiting ANDERSEN's liability.

ANDERSEN's employees', representatives' or Dealers' ORAL OR WRITTEN STATEMENTS DO NOT CONSTITUTE WARRANTIES, shall not be relied upon by BUYER, and are not a part of the contract for sale or this limited warranty.

This warranty does not include labor charges nor does it include transportation charges for returning the Product to the consumer. Removal, shipping and installation of the replacement Product or replacement parts shall be at BUYER's expense.

ULTIMATE 5th WHEEL CONNECTION - GOOSENECK MOUNT WARRANTY PERIOD (from date of purchase): Base & Coupler Block – Lifetime / Cable – 1 Year

OBTAINING WARRANTY SERVICE: For warranty service and returns please visit our website and click on "Warranty" at the bottom of the page or call our customer service department at 208-523-6460. Select warranty claims can be submitted digitally through the help.andersenhitches.com website.

Andersen's Expanded Warranty for the Ultimate 5th Wheel Connection



If the original purchaser ("purchaser") or dealer (on behalf of an original purchaser) is denied written warranty coverage by an RV manufacturer, trailer-manufacturer or 'King Pin' manufacturer, because of purchaser's use of the Andersen Ultimate 5th Wheel Connection (gooseneck or rail mount), and it is shown that the active warranty was properly and legally voided by manufacturer as a result of purchaser's use of the Andersen Ultimate 5th Wheel Connection, then the purchaser is eligible for coverage under the Expanded Warranty from Andersen Manufacturing (d.b.a. Andersen Hitches).

Certain Requirements and Restrictions Apply, scan the QR code at right or visit: help.andersenhitches.com/ultimate-connection-warranty to see more details regarding the Product Warranty and Expanded Warranty for the Andersen Ultimate 5th Wheel Connection.

ANDERSEN HITCHES



(208) 523-6460

3024 BOEING ST. IDAHO FALLS, ID 83401

ANDERSENHITCHES.COM

WATCH INSTALLATION VIDEO



Use your Smart Phone to scan the
QR Code above to watch installation videos
on help.andersenhitches.com.